

COMPONENTS

- Brass Body
- Copper Crimp Ring x 2
- EVA Retaining ring x 2
- LDPE End Cap x2

PRODUCT CODE

- SC2
- SC3
- SC4
- SC5
- SC24
- SC32
- SC43
- SC54

FEATURES

- De-Zincification Resistant Brass Body
- Straight Coupling
- Reducing Couplings
- Full range of sizes and reductions
- Eye holes for pipe position confirmation
- End Caps ensure no damage or foreign body inclusions

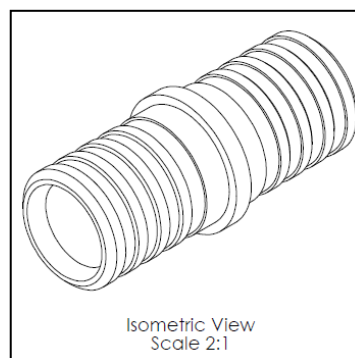
RELATED PRODUCTS & ACCESSORIES

- SecuraGold Range
- Polybutene Pipe Range 12, 15, 20 & 28mm
- Magnum & Alba Tools
- Pipe Cutter – SGPCOV2

TECHNICAL SPECIFICATIONS

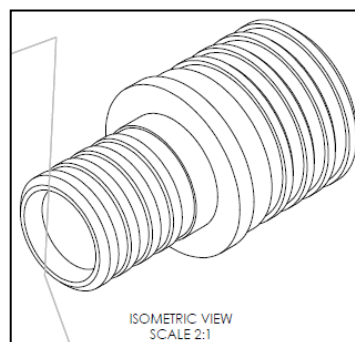
Straight Couplings

Code	Size (mm)	Bore Ø	Pack Size
SC2	12	5.10mm	10
SC3	15	9.10mm	10
SC4	20	13.70mm	10
SC5	28	17.80mm	10



Reducing Couplings

Code	Size (mm)	Bore Ø	Bore Ø	Pack Size
SC24	12 x 20	5.70mm	13.70mm	10
SC32	15 x 12	9.10mm	5.70mm	10
SC43	20 x 15	13.70mm	9.10mm	10
SC54	28 x 20	17.80mm	13.70mm	10



Certificate No: WMK1289-1



All dimensions are in millimetres and subject to normal manufacturing tolerances. Dux reserves the right to vary specifications without notice.

