

COMPONENTS

- Elastomeric PVC Body
- 316 S/S Clamps x 2

PRODUCT CODE

D160-22

FEATURES

- AS/NZS 4327 Type A Accredited
- Withstand 38°C continuous and 60°C intermittent
- Capable of withstanding -40°C
- 316 Stainless Steel Hose Clamps
- Torque of 5.6Nm recommended
- ±5% flex with earth movement

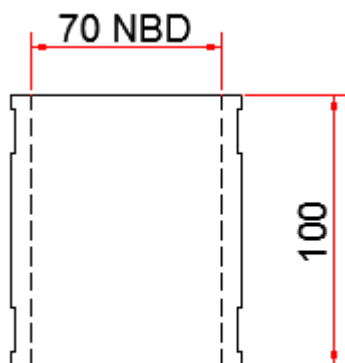
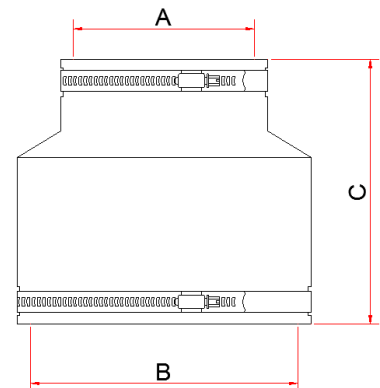
RELATED PRODUCTS & ACCESSORIES

- Dux Coupling Range

**TECHNICAL SPECIFICATIONS**

Code	A	B	C
D160-22	70 NBD* Range 67-74	70 NBD* Range 67-74	100

Coupling Spares Code	Description
DC40	316 Stainless Steel Hose Clamp



D160-22

All measurements are coupling ID and in millimetres

The Elastomeric PVC is able to accommodate a range of pipe sizes due to the ability to expand or contract 5%.

NBD* - Nominal Bore Diameter, measurement is taken with coupling at rest.

All dimensions are in millimetres and subject to normal manufacturing tolerances. Dux reserves the right to vary specifications without notice.