

**COMPONENTS**

- Brass Body
- Copper Crimp Ring x 1
- EVA Retaining Ring x 1
- LDPE End Cap x 1
- Crox Nut x 1
- PB Sealing Cone x 1

**PRODUCT CODE**

- SXE3
- SXE4
- SXE5
- SXE23
- SXE24
- SXE34
- SXE43

**FEATURES**

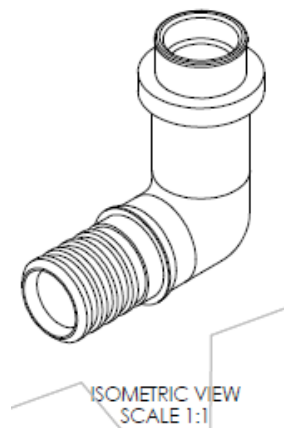
- De-Zincification resistant Brass Body
- Multiple size range covering PB Pipe sizes
- PB Sealing Cone
- Eye Holes for pipe position confirmation
- End Cap ensures no damage to Copper Crimp Ring

**RELATED PRODUCTS & ACCESSORIES**

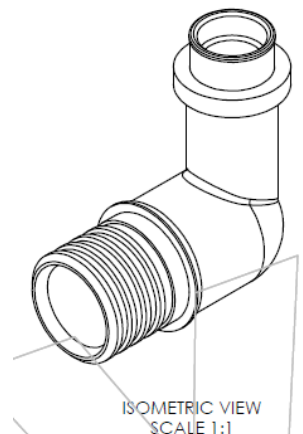
- SecuraGold Range
- Polybutene Pipe Range 12, 15, 20 & 28mm
- Magnum & Alba Tool
- Pipe Cutter – SGPCOV2

**TECHNICAL SPECIFICATIONS**

BSP Swivel Elbow				
Code	Size (mm)	Bore Ø	Crox Nut	Pack Size
SXE3	15	9.10mm	½" BSP	10
SXE4	20	13.70mm	¾" BSP	10
SXE5	28	17.80mm	1" BSP	10
SXE23	12	5.10mm	½" BSP	10
SXE24	12	5.10mm	¾" BSP	10
SXE34	15	9.10mm	¾" BSP	10
SXE43	20	13.70mm	½" BSP	10



ISOMETRIC VIEW  
SCALE 1:1



ISOMETRIC VIEW  
SCALE 1:1



Certificate No: WMK1289-1



All dimensions are in millimetres and subject to normal manufacturing tolerances. Dux reserves the right to vary specifications without notice.

