

FEATURES

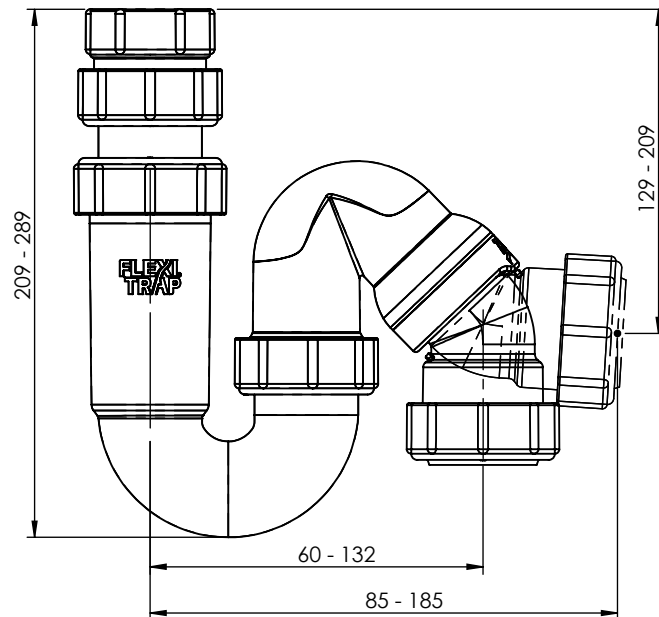
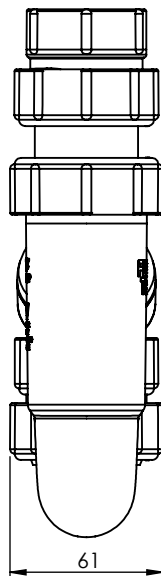
- Inlet size - 32mm or 40mm BSP (adaptor)
- Outlet size - 32mm or 40mm compression
- Compact adjustable size
- Telescopic inlet for quick & easy height adjustment
- Combination P & S trap with unique flexible joint for connection to misaligned waste pipes up to 5°
- Temperature and chemical resistant
- Manufactured from tough and durable Polypropylene Co-Polymer with synthetic rubber seals



SAI Global

AS2887:1993 - Lic WMK26068

DIMENSIONS (mm)



TECHNICAL SPECIFICATION

All Dux Flexitraps™ are suitable for continuous use at 60°C and can withstand up to 150°C short term steam sterilisation in the absence of external stresses.

All Dux FlexiTraps™ are Watermark certified and comply with building code G13/AS1 requirements for waterseal depth.

The FlexiTrap™ range of wastewater traps do not contain any PVC components.

Further details of the FlexiTrap™ range of wastewater traps is available for download at www.dux.co.nz Dux industries reserves the right to alter or amend the specifications of the FlexiTrap™ range without prior notice. FlexiTrap™ is a registered trade mark of Dux Industries Ltd.