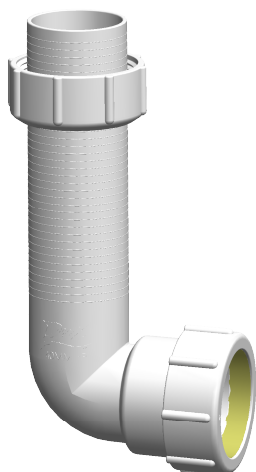


PRODUCT CODE

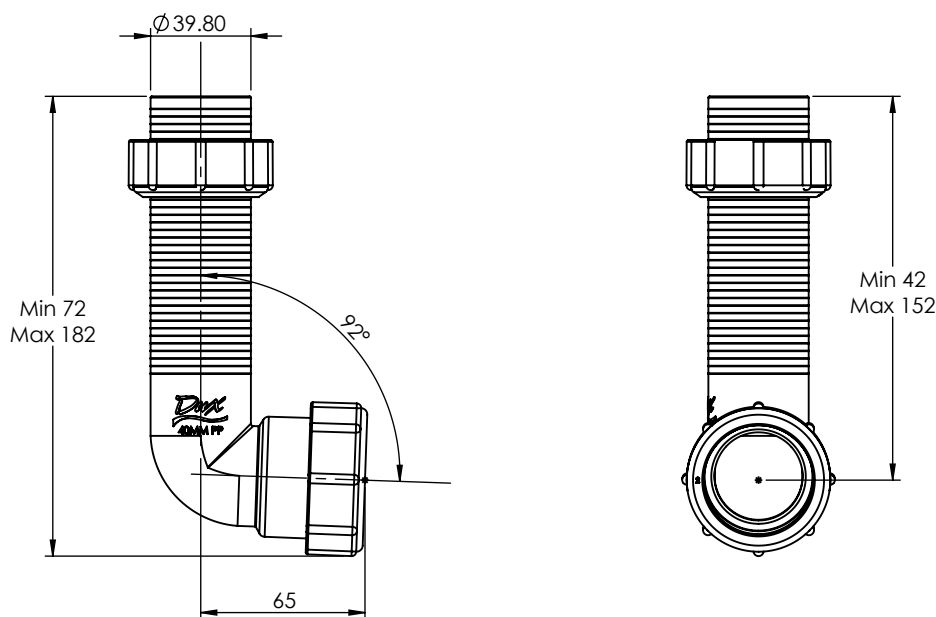
B4095F


FEATURES

- Inlet size - 40mm BSP
- Outlet size - 40mm compression
- Compact size with 110mm of height adjustment
- Simply cut to length to suit your installation
- Suitable for double waste connections when combined with the DWTA40 or T40FM double waste adaptors
- Temperature and chemical resistant
- Manufactured from tough and durable Polypropylene Co-Polymer with synthetic rubber seals

DIMENSIONS

(mm)


TECHNICAL SPECIFICATION

All Dux Flexitraps™ are suitable for continuous use at 60°C and can withstand up to 150°C short term steam sterilisation in the absence of external stresses.

All Dux FlexiTraps™ are Watermark certified and comply with building code G13/AS1 requirements for water seal depth.

The FlexiTrap™ range of wastewater traps do not contain any PVC components.

Further details of the FlexiTrap™ range of wastewater traps is available for download at www.dux.co.nz. Dux industries reserves the right to alter or amend the specifications of the FlexiTrap™ range without prior notice. FlexiTrap™ is a registered trade mark of Dux Industries Ltd.